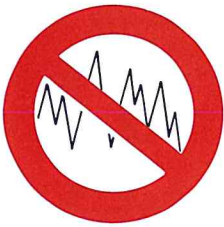


# ISOLATION TECHNOLOGY INC



**NOISE  
& VIBRATION  
CONTROL SPECIALISTS**



- STEEL SPRING VIBRATION ISOLATORS
- ELASTOMER ISOLATORS ■ ENGINEERING SERVICES
- VIBRATION DAMPING COMPOUNDS
- ACOUSTICAL ENCLOSURES ■ DUCT SILENCERS

## **COMPANY PROFILE**

Isolation Technology, Inc. was formed in 1989.

The company's three principals together share over 70 years of experience and expertise in the field of noise control and vibration isolation.

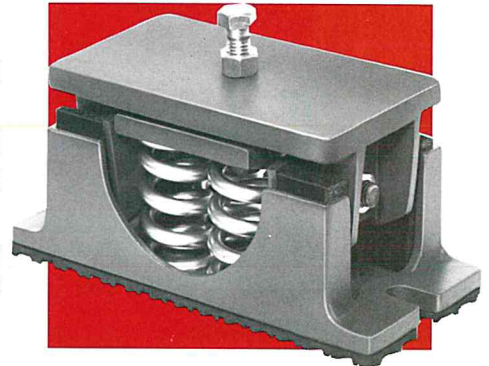
We are committed to providing comprehensive engineering services in order to solve all types of vibration and noise control problems. Further, we back up our extensive engineering capabilities with outstanding sales and customer service. Isolation Technology offers the most comprehensive line of noise and vibration control products available.

## **SERIES C Vibro Isolators**

Series C Vibro Isolators are rugged cast iron housed isolators with oil tempered steel springs for **all purpose** applications.

Isolators are available with *external (CK)* or *internal (CI)* adjustment and also feature adjustable or non-adjustable resilient snubbers for varying degrees of damping and to limit oscillation.

All isolators are provided with a bottom sound pad for maximum noise reduction. These isolators are also available with chrome vanadium springs for shock applications.



ISOL. NO.	RATED LOAD-lb.	
	STEADY	IMPACT
C*1-1	125	-
C*1-2	200	-
C*1-3	300	-
C*1-4	500	-
C*1-5	700	-
C*1-6	1200	-
C*1-S5	325	290
C*1-S6	450	400
C*1-S7	600	550
C*1-S8	1100	825
C*1-S9	1300	1225

ISOL. NO.	RATED LOAD-lb.	
	STEADY	IMPACT
C*2-1	250	-
C*2-2	400	-
C*2-3	600	-
C*2-4	1000	-
C*2-5	1400	-
C*2-6	2400	-
C*2-S5	650	580
C*2-S6	900	800
C*2-S7	1200	1100
C*2-S8	2200	1650
C*2-S9	2600	2450

ISOL. NO.	RATED LOAD-lb.	
	STEADY	IMPACT
C*4-1	500	-
C*4-2	800	-
C*4-3	1200	-
C*4-4	2000	-
C*4-5	2800	-
C*4-6	4800	-
C*4-S5	1300	1160
C*4-S6	1800	1600
C*4-S7	2400	2200
C*4-S8	4400	3300
C*4-S9	5200	4900

ISOL. NO.	RATED LOAD-lb.	
	STEADY	IMPACT
C*9-1	1125	-
C*9-2	1800	-
C*9-3	2700	-
C*9-4	4500	-
C*9-5	6300	-
C*9-6	10800	-
C*9-S5	2925	2610
C*9-S6	4000	3600
C*9-S7	5400	4950
C*9-S8	9900	7425
C*9-S9	11700	11025

### **How to specify Type C and Type W Isolators**

Letter "K" denotes an *externally* adjusted isolator with *adjustable* snubbers. ie. CK-9-5

Letter "I" denotes an *internally* adjusted isolator with *adjustable* snubbers. ie. WI-4-6

Letter "N" denotes an *externally* adjusted isolator with *non-adjustable* snubbers (only available in Series C). ie. CN-4-3

Letter "O" denotes an *internally* adjusted isolator with *non-adjustable* snubbers (only available in Series C). ie. CO-2-4

## SERIES W Vibro Isolators

Series W Vibro Isolators are exceptionally rugged welded steel construction with oil tempered steel springs for **heavy duty industrial applications**.

Load ranges up to 12,000 # in standard housing designs, greater load capacities available with *external (WK)* or *internal (WI)* adjustment.

All isolators are provided with a bottom sound pad for maximum noise reduction. These isolators are also available with chrome vanadium springs for shock applications.



ISOL. NO.	RATED LOAD-lb.	
	STEADY	IMPACT
W*2-1	250	-
W*2-2	400	-
W*2-3	600	-
W*2-4	1000	-
W*2-5	1400	-
W*2-6	2400	-
W*2-S5	650	580
W*2-S6	900	800
W*2-S7	1200	1100
W*2-S8	2200	1650
W*2-S9	2600	2450

ISOL. NO.	RATED LOAD-lb.	
	STEADY	IMPACT
W*4-1	500	-
W*4-2	800	-
W*4-3	1200	-
W*4-4	2000	-
W*4-5	2800	-
W*4-6	4800	-
W*4-S5	1300	1160
W*4-S6	1800	1600
W*4-S7	2400	2200
W*4-S8	4400	3300
W*4-S9	5200	4900

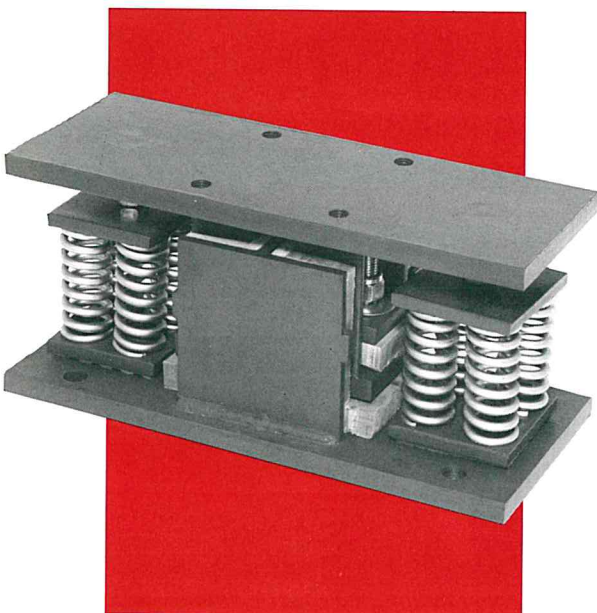
ISOL. NO.	RATED LOAD-lb.	
	STEADY	IMPACT
W*9-1	1125	-
W*9-2	1800	-
W*9-3	2700	-
W*9-4	4500	-
W*9-5	6300	-
W*9-6	10800	-
W*9-S5	2925	2610
W*9-S6	4000	3600
W*9-S7	5400	4950
W*9-S8	9900	7425
W*9-S9	11700	11025

**\*See  
“How to  
Specify  
Type C and  
Type W Isolators”  
at bottom of  
facing page**

## SERIES WMI Welded Marine Isolators

Series WMI is a specifically designed isolator for use in **marine and mobile applications**. It provides spring isolator efficiency in normal operating conditions in combination with cushioned restraints in all directions to provide isolation with limited movement under adverse conditions.

The isolator housing is painted with zinc-chromate and all hardware is zinc plated for long life. For severe conditions zinc metallized housings and stainless steel hardware are available as an option.



ISOL. NO.	RATED LOAD-lb.
WMI-4-1	500
WMI-4-2	800
WMI-4-3	1200
WMI-4-4	2000
WMI-4-5	2800
WMI-4-6	4800

ISOL. NO.	RATED LOAD-lb.
WMI-8-1	1000
WMI-8-2	1600
WMI-8-3	2400
WMI-8-4	4000
WMI-8-5	5600
WMI-8-6	9600

# Elastomer Isolation

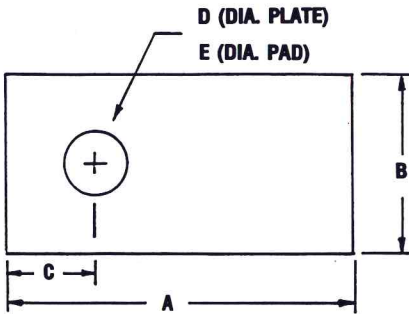


## NCP NEOCORK DAMPERS

NCP Neocork Dampers with capacity ranges available up to 12,000 #. Our NCP dampers feature a load distributing steel plate with a non-skid felt pad, permanently bonded to the Neocork pad.

Neocork dampers may be used under **all types of industrial machinery.**

DAMPER SIZE	DIMENSIONS ---- INCHES				
	A	B	C	D	E
NCP-400	2 <sup>3</sup> / <sub>4</sub>	2 <sup>1</sup> / <sub>2</sub>	5/ <sub>8</sub>	3/ <sub>4</sub>	5/ <sub>8</sub>
NCP-500	4	2 <sup>1</sup> / <sub>2</sub>	1	3/ <sub>4</sub>	5/ <sub>8</sub>
NCP-800	2 <sup>3</sup> / <sub>4</sub>	2 <sup>1</sup> / <sub>2</sub>	5/ <sub>8</sub>	3/ <sub>4</sub>	5/ <sub>8</sub>
NCP-1000	4	2 <sup>1</sup> / <sub>2</sub>	1	3/ <sub>4</sub>	5/ <sub>8</sub>
NCP-1400	6	4	1 <sup>1</sup> / <sub>2</sub>	3/ <sub>4</sub>	5/ <sub>8</sub>
NCP-2100	7	5	2	3/ <sub>4</sub>	5/ <sub>8</sub>
NCP-2800	6	4	1 <sup>1</sup> / <sub>2</sub>	3/ <sub>4</sub>	5/ <sub>8</sub>
NCP-4200	7	5	2	3/ <sub>4</sub>	5/ <sub>8</sub>
NCP-6000	12	8	4 <sup>3</sup> / <sub>4</sub>	7/ <sub>8</sub>	3/ <sub>4</sub>
NCP-8500	10	7	3 <sup>1</sup> / <sub>2</sub>	7/ <sub>8</sub>	3/ <sub>4</sub>
NCP-12000	12	8	4 <sup>3</sup> / <sub>4</sub>	7/ <sub>8</sub>	3/ <sub>4</sub>



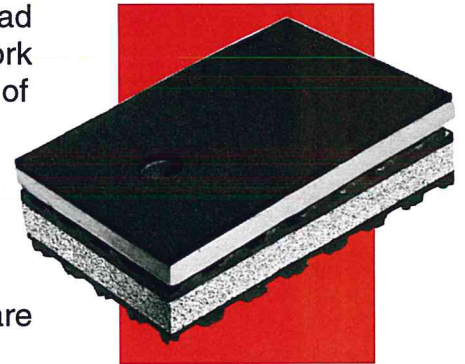
## NEOGRIP

Neogrip is a high grade neoprene isolation pad 1/4" thick with a cross rib pattern on one side and a flat surface on the other. The cross rib design provides high resilience and prevents the accumulation of debris beneath the pad. (Also available laminated into 1/2" thick pads.) Standard sheet size is 24" x 36", cut pieces are also available.

## NEOCORK

Neocork is an isolation pad consisting of a 1/2" thick cork isolation center with layers of 1/4" Neogrip isolation pad laminated on both faces.

This product is used for **general isolation** applications. Standard size is 24" x 36", cut pieces are also available.



## NEOPAD

Neopad is a 1/4" thick high grade neoprene isolation medium with a waffle design surface on both sides. The pad is available in 2 load capacities, 40 psi (black), and 100 psi (red), in sheets 24" x 24".

## VIBRATION DAMPING COMPOUNDS

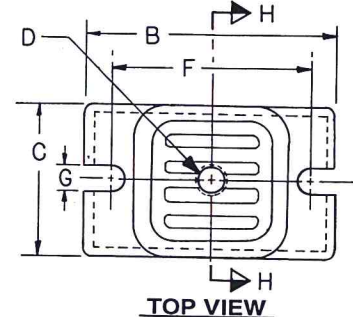
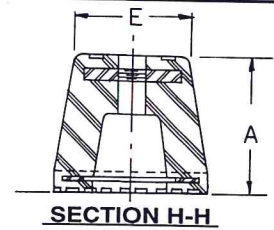
Isolation Technology had two types of damping materials, a liquid water based compound and a sheet material with pressure sensitive adhesive for reducing structural resonance in thin materials.

# Series NS Mounts

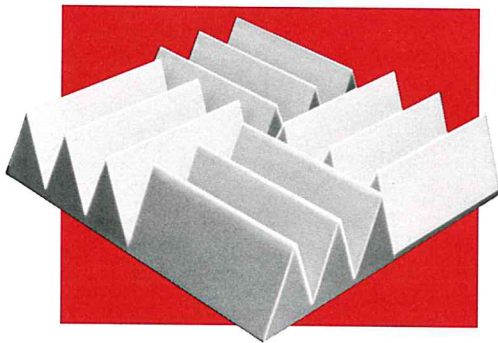


Isolation Technology's NS mounts are neoprene mounts designed for vibration isolation at low cost. They are especially useful in isolating **high speed equipment** from its supports.

The isolators provide deflections up to 1/4" in the "S" version and up to 1/2" in the "D" version. (Note: The third letter of the Mount # in the chart below denotes the version.)



MOUNT#	RATED LOAD - lbs.				DIMENSIONS IN INCHES								
					A		B	C	D	E	F	G	
					SINGLE	DOUBLE							
NS <b>S</b> 1	40	65	100	-	7/8	-	3	1 <sup>9</sup> / <sub>16</sub>	5/16	1 <sup>1</sup> / <sub>8</sub>	2 <sup>1</sup> / <sub>4</sub>	1 <sup>1</sup> / <sub>32</sub>	
NS <b>D</b> 1	65	85	160	-	-	1 <sup>1</sup> / <sub>2</sub>	3	1 <sup>9</sup> / <sub>16</sub>	5/16	1 <sup>1</sup> / <sub>8</sub>	2 <sup>1</sup> / <sub>4</sub>	1 <sup>1</sup> / <sub>32</sub>	
NS <b>S</b> 2	115	195	270	480	1 <sup>1</sup> / <sub>8</sub>	-	3 <sup>3</sup> / <sub>4</sub>	2 <sup>1</sup> / <sub>8</sub>	3/8	1 <sup>7</sup> / <sub>16</sub>	3	3/8	
NS <b>D</b> 2	115	195	270	480	-	1 <sup>7</sup> / <sub>8</sub>	3 <sup>3</sup> / <sub>4</sub>	2 <sup>1</sup> / <sub>8</sub>	3/8	1 <sup>7</sup> / <sub>16</sub>	3	3/8	
NS <b>S</b> 3	300	515	725	1130	1 <sup>5</sup> / <sub>8</sub>	-	5	3 <sup>1</sup> / <sub>16</sub>	1/2	2 <sup>5</sup> / <sub>16</sub>	4	9/16	
NS <b>D</b> 3	300	515	725	1130	-	2 <sup>3</sup> / <sub>4</sub>	5	3 <sup>1</sup> / <sub>16</sub>	1/2	2 <sup>5</sup> / <sub>16</sub>	4	9/16	
NS <b>S</b> 4	1800	3000	5000	-	1 <sup>5</sup> / <sub>8</sub>	-	7 <sup>1</sup> / <sub>8</sub>	4 <sup>5</sup> / <sub>8</sub>	5/8	3 <sup>7</sup> / <sub>8</sub>	5 <sup>7</sup> / <sub>8</sub>	9/16	
NS <b>D</b> 4	1800	3000	5000	-	-	2 <sup>3</sup> / <sub>4</sub>	7 <sup>1</sup> / <sub>8</sub>	4 <sup>5</sup> / <sub>8</sub>	5/8	3 <sup>7</sup> / <sub>8</sub>	5 <sup>7</sup> / <sub>8</sub>	9/16	



## Sonex

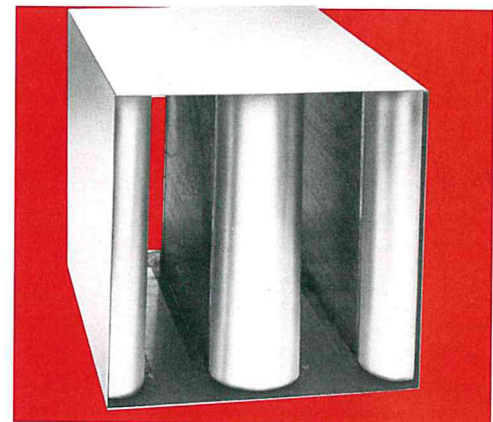
Isolation Technology is a distributor of illbruck's "Sonex" line of acoustical absorption materials. Sonex has a wedge shaped pattern formed on its surface to provide increased sound absorption.

Sonex is available in a variety of thicknesses and colors to suit all industrial and architectural applications. Sonex is available in a flame resistant configuration for those special applications. This material is known as: "Sonex 1".

## Fan Silencers

Isolation Technology is your source for most industrial exhaust and supply silencers (attenuators). We fabricate attenuators of various materials including galvanized steel, stainless steel and reinforced plastics.

These silencers are available in round and rectangular configurations.



## Resilient Vibration Isolators

The Novibra line of resilient vibration isolators can be used in a wide range of applications, ranging from small equipment to large manufacturing equipment, such as presses, rolling mills and grinders.

Some of the resilient isolators have been designed specifically for mobile applications, such as engines, cabs, generators, compressors and test equipment, for on and off road use. These standard resilient isolators have very good isolation capabilities while providing a 5g overload capacity. Where higher overload capacity is required, our engineers at Isolation Technology will work with you to design and build an isolation system to meet your requirements.

Other products of this type have found wide acceptance in the power and power transmission fields, with many being used under transformers and switchgear.



Novibra resilient isolators are molded from elastomeric compounds and are designed to provide a wide range of performance and load carrying capabilities.

**The Novibra product line is relatively new  
for Isolation Technology  
and our list of applications is continually growing.**

*If you have a project  
in which vibration isolation is potentially required,  
we welcome the opportunity and the challenge  
of helping you to select the isolation materials  
that will best meet your performance and budgetary needs.*